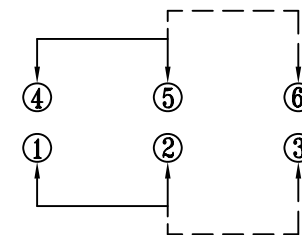
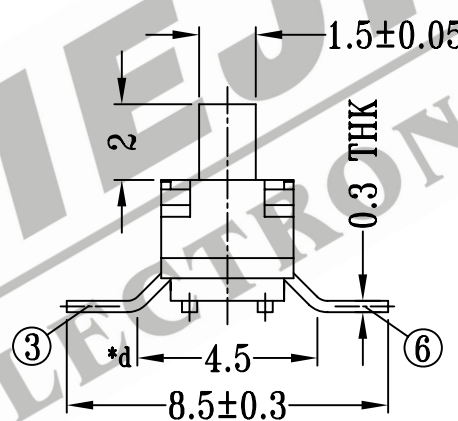
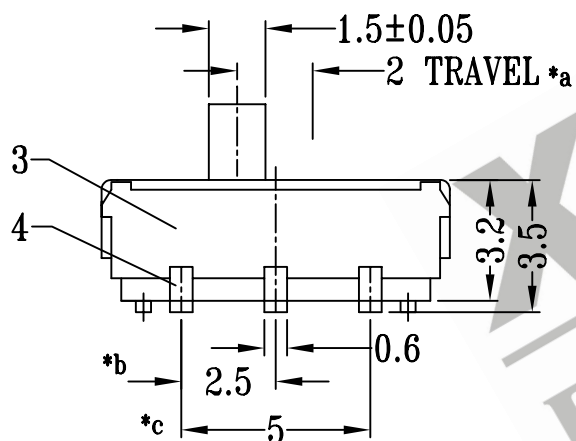
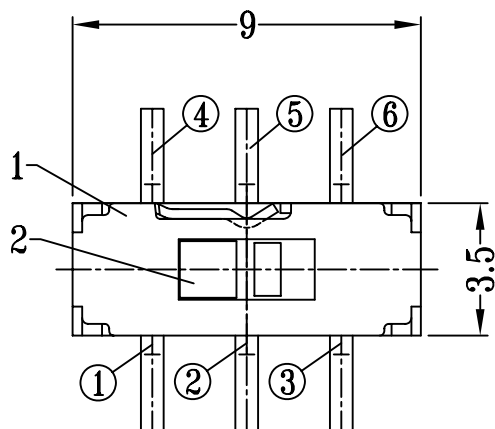
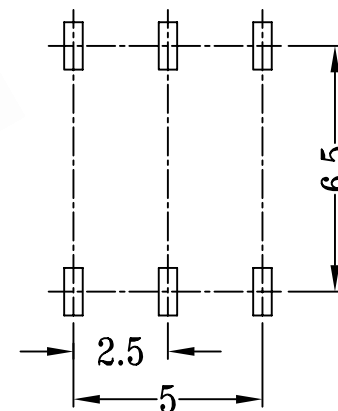


CAD FILE:



SCHEMATIC



P.C.B LAYOUT

注:带"*"表示关键尺寸(4个)

8					TOLERANCE UNLESS SPECIFIED	SHENZHEN XIEJIA ELECTRONICS CO.,LTD.				
7										
6					WITHIN: 1.5±0.1mm	ISSUE	DATE	DESCRIPTIONS		APPD.
5					OVER : 1.5±0.2mm					
4	CONTACT CLIP	PBS	2	Ag CLAD	TITLE : MINI SLIDE SWITCH		UNIT : MM	DRWG NO.: XJ-DR-MS22D18-00		
3	CASE	NYLON+F.G/BRASS STRIP	1	BLACK/Ag PLATED OVER Ni PLATED						
2	KNOB	NYLON+F.G	1	WHITE	MODEL: MS-22D18		SCALE: 5 : 1	DWN.	ZHOUYU	2003-4-18
1	COVER	SUS	1	WASHING				CHK'D	FANGYING	2003-4-18
NO.	PART NAME	MATERIAL	Q'TY	FINISHING	ALL MATERIALS MUST BE COMPLIANT TO ROHS			APPD.	KANGXINAN	2003-4-18